



## Product datasheet



### Xlight Lens 2xLED 2835

#### Areas of application

- Signage and illuminated advertising
- Backlighting of channel letters and light box
- best for 70mm to 250mm depth (2.7 to 10inch)

#### Product benefits

- Excellent module thermal design
- Uniform illumination at high LED pitches thanks to good optics technology
- Significantly better application efficiency compared to systems without lenses
- Long lifetime 5 years warranty

#### Product features

- 12VDC
- 67 lm/module
- Beam angle 160°
- CE marked and UL listed



## Electrical data

Product Description	Typical Voltage	Energy Consumption (W/module)	Energy Consumption (W/chain)	Power Supper Loading		Additional Information (modules/chain)
XLIGHT LENS 2xLED 2835	12VDC	0.72	14.4	83 modules/60W	26 ft./60W	20

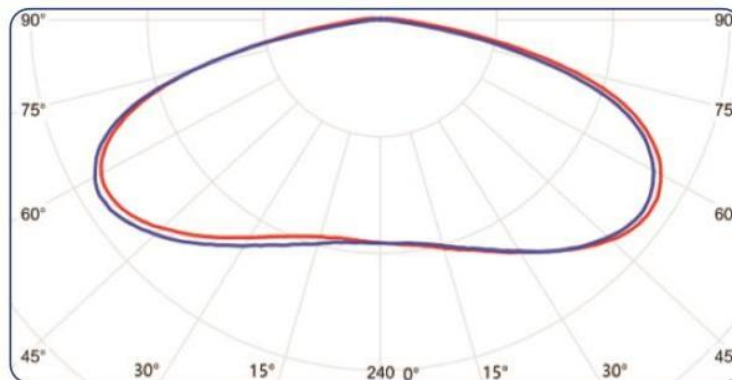
## Photometrical data

Product Description	Light color (designation)	Color (CCT, wavelength)	Color Rendering Index	Typical Brightness (lumen/module)	Typical Brightness (lumen/chain)
XLIGHT LENS 2xLED 2835	White	2800K- 17000K	Ra > 75	67	1340

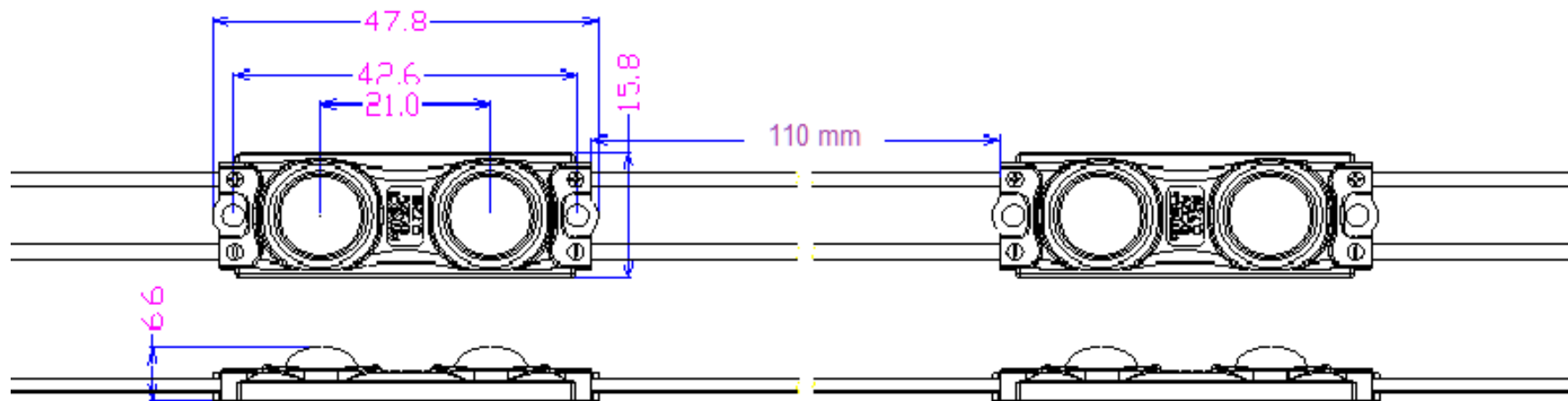
## Environmental and Application Conditions

Operating Environment ( $t_a$ )	-25°C to +55°C
Storage Temperature Range ( $t_s$ )	-40°C to +80°C
Max. operating (case) temperature ( $t_c$ )	70°C
IP Rating	IP66
Lifetime (L70B50)	50,000 hours
Dimming mode	Dimmable
Cutting Resolution	Cut on wire between every module

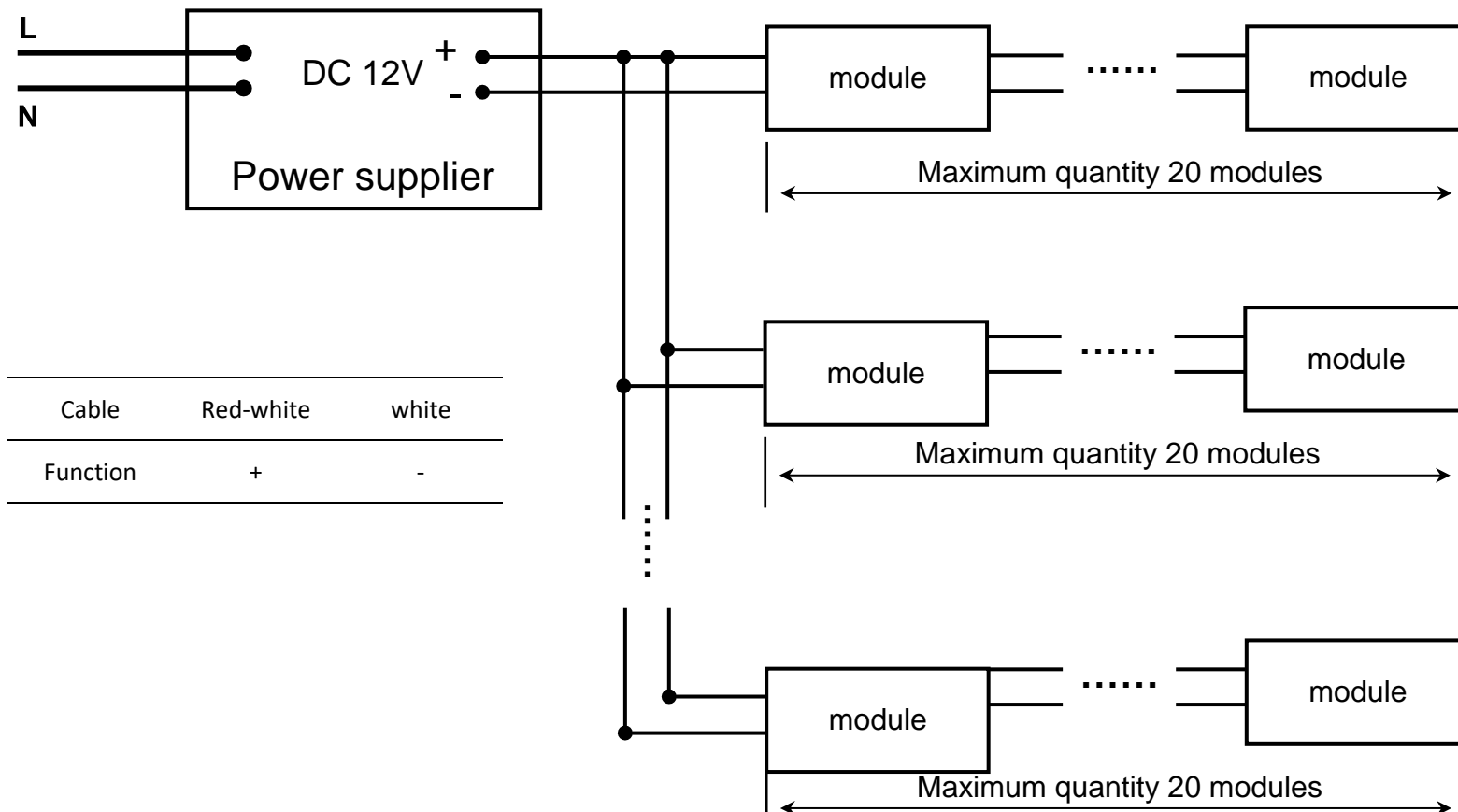
Light distribution



Product line drawing



Wiring method



\* The secondary cable recommend AGW18, <5 meter (16.4 ft.)